

Driver LCU 180W 24V IP20 EXC

excite series

**Product description**

- _ Constant voltage LED Driver
- _ Constant output voltage
- _ Push terminals for simple wiring
- _ Nominal life-time up to 50,000 h (at t_a 45 °C with a failure rate \leq 0.2 % per 1,000 h)
- _ 5-year guarantee
- _ Complies with CLASS C from minimum to maximum load range according to EN 61000-3-2

Properties

- _ Small design
- _ High efficiency
- _ Low power loss
- _ Overtemperature and overload protection
- _ Short-circuit shutdown feature with automatic restart
- _ Protection class II, SELV
- _ Type of protection IP20
- _ Plastic casing white

Website

<http://www.tridonic.com/28000414>



Spotlights



Downlights



Linear



Area



Floor | Wall



Free-standing



Street



Decorative

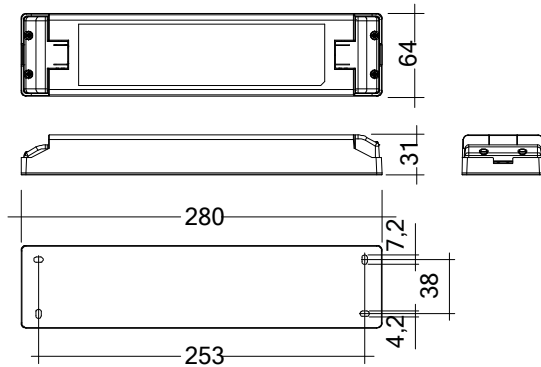


High bay

Driver LCU 180W 24V IP20 EXC

excite series

The complete data sheet for this product is available in the Downloads section.



LCU 180W 24V SR TOP

Ordering data

Type	Article number	Packaging, carton	Packaging, pallet	Weight per pc.
LCU 180W 24V TOP SR	28000414	10 pc(s).	400 pc(s).	0.85 kg

Technical data

Rated supply voltage	220 – 240 V
AC voltage range	198 – 264 V
Rated current (at 230 V, 50 Hz, full load)	0.92 A
Mains frequency	50 / 60 Hz
Efficiency (at 230 V, 50 Hz, full load)	> 90 %
λ (at 230 V, 50 Hz, full load)	0.95
Max. input power in no-load operation	0.5 W
Output voltage tolerance	-0 / +5 %
Output power ($t_a \leq 50 \text{ }^\circ\text{C}$)	180 W
Output power ($t_a > 50 \text{ }^\circ\text{C}$)	126 W
Output power range	18 – 180 W
Starting time (output)	$\leq 0.5 \text{ s}$
Turn off time (output)	$\leq 1 \text{ s}$
Hold on time at power failure (output)	10 ms
Mains surge capability (between L - N)	1 kV
Mains surge capability (between L/N - PE)	1 kV
Surge voltage at output side (against PE)	< 500 V
Ambient temperature t_a	-25 ... +60 $^\circ\text{C}$
Ambient temperature t_a (at life-time 50,000 h)	-25 ... +45 $^\circ\text{C}$
Storage temperature t_s	-40 ... +85 $^\circ\text{C}$
Life-time	up to 50,000 h
Dimensions L x W x H	280 x 64 x 31 mm
Hole spacing D	253 mm

Approval marks**Standards**

EN 55015, EN 60598-1, EN 60598-2-22, EN 61000-3-2, EN 61000-3-3, EN 61347-1, EN 61347-2-13, EN 61547, EN 62384, EN 62493

Specific technical data

Type	Max. casing temperature etc	Output voltage	Max. input power	Output current range
LCU 180W 24V TOP SR	90 °C	24 V	211 W	750 – 7,500 mA